

# SD-TS10T

## Programmable Touch Panel (Desktop)



**User Manual**

**VER 1.0**

## Thank you for purchasing this product

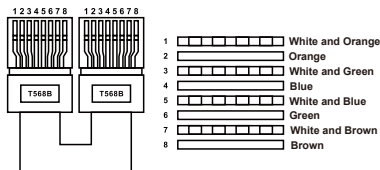
For optimum performance and safety, please read these instructions carefully before connecting, operating or adjusting this product. Please keep this manual for future reference.

## Surge protection device recommended

This product contains sensitive electrical components that may be damaged by electrical spikes, surges, electric shock, lighting strikes, etc. Use of surge protection systems is highly recommended in order to protect and extend the life of your equipment.

## Caution

The network cable connection method required for this product is direct connection. Please do not cross connect.



**Direct Interconnection Method**

## Table of Contents

1. Introduction.....	1
2. Features.....	1
3. Package Contents.....	1
4. Specifications.....	2
5. Operation Controls and Functions.....	3
6. Application Example.....	5

## 1. Introduction

The programmable touch panel is designed to be utilized in the sectors of automated office system, multi-media room and smart home. With a programmable interactive user interface over configuration protocols, the integrated system provides intelligent networking service. The touch panel is equipped with a capacitive touch screen with a resolution of 1280\*800, and it supports one LAN port and one RS-485 serial port. It is used in a diverse range of installations and applications across industries including multi-media conference rooms, multi-functional halls, training centers, show room, broadcasting studios and industrial automation.

## 2. Features

- ☆ ARM Cortex-A55 architecture 1.8Ghz main frequency
- ☆ Android 11.0 system, 4GB DDR4 RAM, 32GB EMMC Flash
- ☆ 10-inch 1280\*800 (16:10) resolution, desktop screen design
- ☆ One machine with two modes, can be used as touch screen central control or user terminal
- ☆ Support one RS-485 communication serial port, which is capable of configuring 8 baud rates in the range of 2400-115200bps
- ☆ Support access to the host system management web page with a password
- ☆ Interface design and programming through IDE design tools
- ☆ Compliant with industry standard network communication protocols (TCP/IP, Http, UDP, Websocket)
- ☆ With 1 Gigabit network port, the highest rate up to 1G/bps
- ☆ Dual power supply mode, supporting PoE or DC power supply
- ☆ Support factory reset

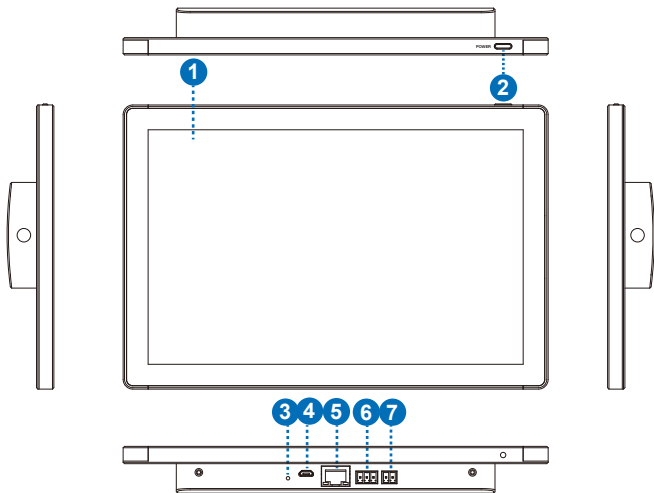
## 3. Package Contents

- ① 1x Programmable Touch Panel (Desktop)
- ② 1x 3pin-3.81mm Phoenix Connectors (male)
- ③ 1x 24V/1A Multinational Power Supply (2pin-3.81mm Phoenix Connector)
- ④ 1x User Manual

## 4. Specifications

Technical	
CPU	ARM Cortex-A55 1.8GHz
Operation System	Android 11
RAM	4GB DDR4 RAM
Flash Memory	32GB EMMC Flash
Resolution	1280*800
Touch Type	Capacitive Touch Screen
ESD Protection	IEC 61000-4-2: ±8kV (Air-gap discharge) & ±4kV (Contact discharge)
Connection	
RS-485	1x 3-pin Phoenix Connectors, for RS-485 serial data communication
LAN/POE	1x Standard 10M/100M/1000M Ethernet RJ45 interface, supporting PoE function
POWER	1x 2-pin Phoenix Connectors, for power supply
DEBUG	1x Micro USB, system debugging port
Mechanical	
Housing	Front Panel — Touch Screen; Rear Case — Aluminum Alloys
Color	Front Panel — Black; Rear Case — Apple Gray
Dimension	245.4mm (L) × 164mm (W) × 27mm (D)
Weight	887g
Power Supply	24V DC/1A or PoE
Power Consumption	6W
Operating Temperature	0°C ~ 40°C / 32°F ~ 104°F
Storage Temperature	-20°C ~ 60°C / -4°F ~ 140°F
Operating Humidity	20% ~ 80% (relative humidity, non-condensing)
Storage Humidity	10% ~ 90% (relative humidity, non-condensing)

## 5. Operation Controls and Functions



No.	Name	Function Description
1	Touch Screen	Capacitive touch screen. The user control interface can be configured through the IDE tool.
2	POWER button	Used for screen off or wake-up.
3	RESET button	<b>Reboot:</b> After the device boots up, press and hold the RESET button for more than 1s less than 5s, then release it, the device will reboot. The device won't upload the user projects after rebooting. <b>Reset:</b> After the device boots up, press and hold the RESET button for more than 5s, then release it, the device will reset the user configuration information, the IP will be restored to the default settings (IP address: 192.168.0.101, subnet mask: 255.255.0.0), the login password of the management page will be initialized to "admin", the device time will be initialized to automatic acquisition mode, but user projects won't be deleted by factory initialization.

No.	Name	Function Description
4	DEBUG port	Micro USB port. The reserved port for system debugging.
5	LAN/POE port	Standard 10M/100M/1000M Ethernet RJ45 port with default auto-negotiated speed for device connection, projects uploading & downloading, network communication and debugging. By default, the DHCP function of the control panel is disabled, and the IP setting is as follows: IP address: 192.168.0.101, subnet mask: 255.255.0.0
6	RS-485 port	Programmable RS-485 serial port, which is a 3-pin phoenix connector (male), compliant with RS-485 communication protocol, and capable of configuring 8 baud rates in the range of 2400-115200bps. The pin-outs of the RS-485 ports are PIN1 for A, PIN2 for GND, and PIN3 for B.
7	POWER port	The power input port (2-PIN phoenix connectors), used for connecting with external 24V DC power supply.

## 6. Application Example

